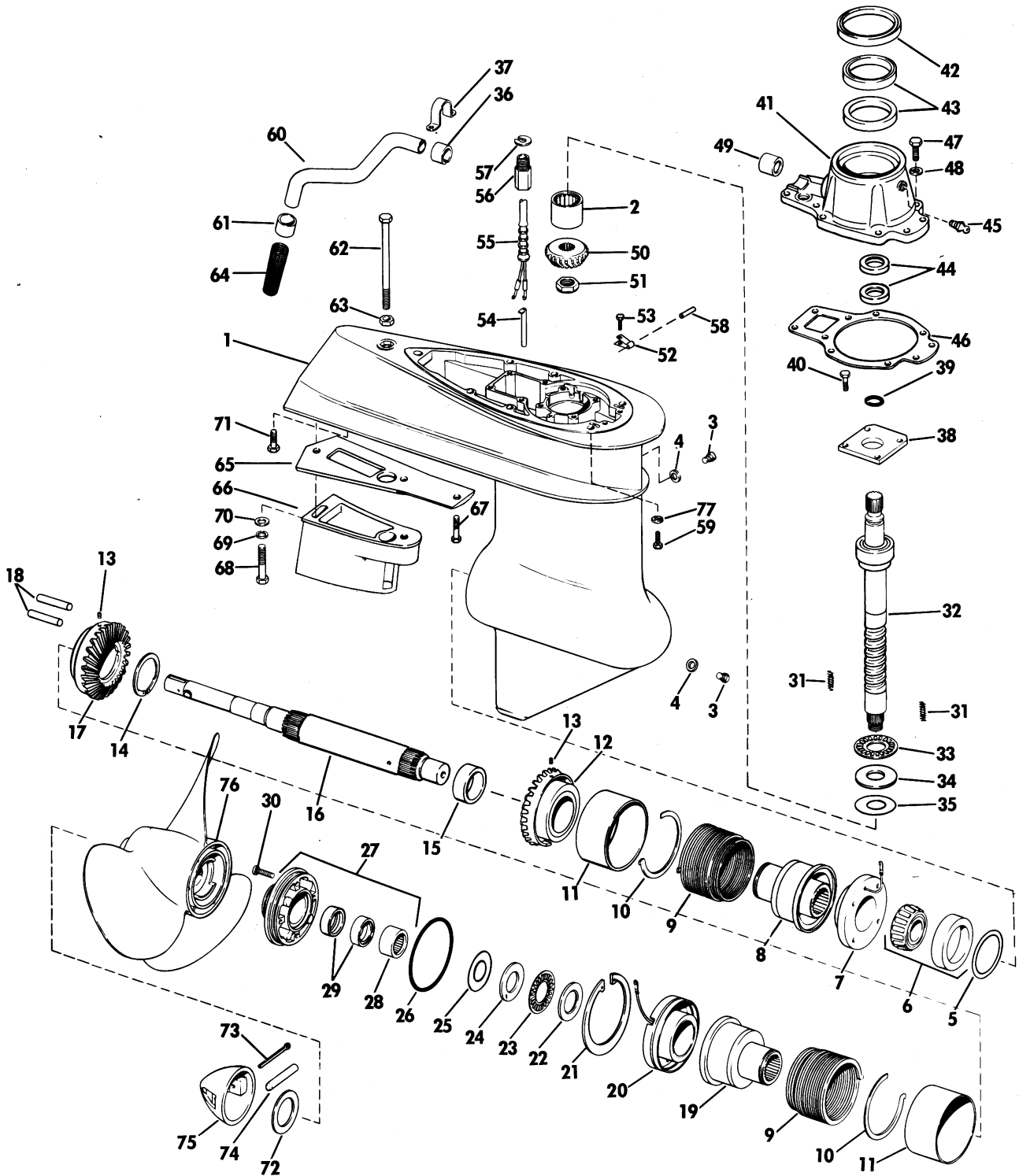


1969

LOWER GEARCASE GROUP 120, 155, 210 HP



INDENTED PART NAMES INDICATE THAT THESE PARTS ARE INCLUDED IN PRECEDING ASSEMBLY
SPECIFY MODEL AND SERIAL NUMBER OF MOTOR WHEN ORDERING PARTS

680336